

## Cable gland - HC-M-KV-M40(27-34) - 1607729


Please be informed that the data shown in this PDF Document is generated from our Online Catalog. Please find the complete data in the user's documentation. Our General Terms of Use for Downloads are valid (<http://phoenixcontact.com/download>)



Metal screw connection up to 5 bar, thread length: 8 mm, cable diameter: 27 ... 34 mm, WAF 50, screw connection: M40



### Key Commercial Data

Packing unit	1 pc
GTIN	 4 017918 938819
GTIN	4017918938819
Weight per Piece (excluding packing)	169.500 g
Custom tariff number	74199990
Country of origin	Germany

### Technical data

#### Dimensions

Length	35 mm
Wrench size, union nut	50 mm
Wrench size, support	50 mm
Hexagon angular dimension	58 mm
Length of the connecting thread	8 mm
Feed-through hole diameter	40.1 mm ... 40.3 mm
External cable diameter	27 mm ... 34 mm

#### Ambient conditions

Degree of protection (IP)	IP68 (up to 5 bar)
Ambient temperature (operation)	-30 °C ... 100 °C

## Cable gland - HC-M-KV-M40(27-34) - 1607729

### Technical data

#### General

Type of the screw connection	M40
No. of conductors	1
Cable gland material	Nickel-plated brass
Material, insert	PA
Cable seal material	Neoprene
O-ring material	NBR
Shielded	no
Thread type on connection side	M40 x 1.5
Torque	20 Nm (Union nut)
	20 Nm (Support sleeve)
Color	silver

#### Standards and Regulations

Halogen-free	no
--------------	----

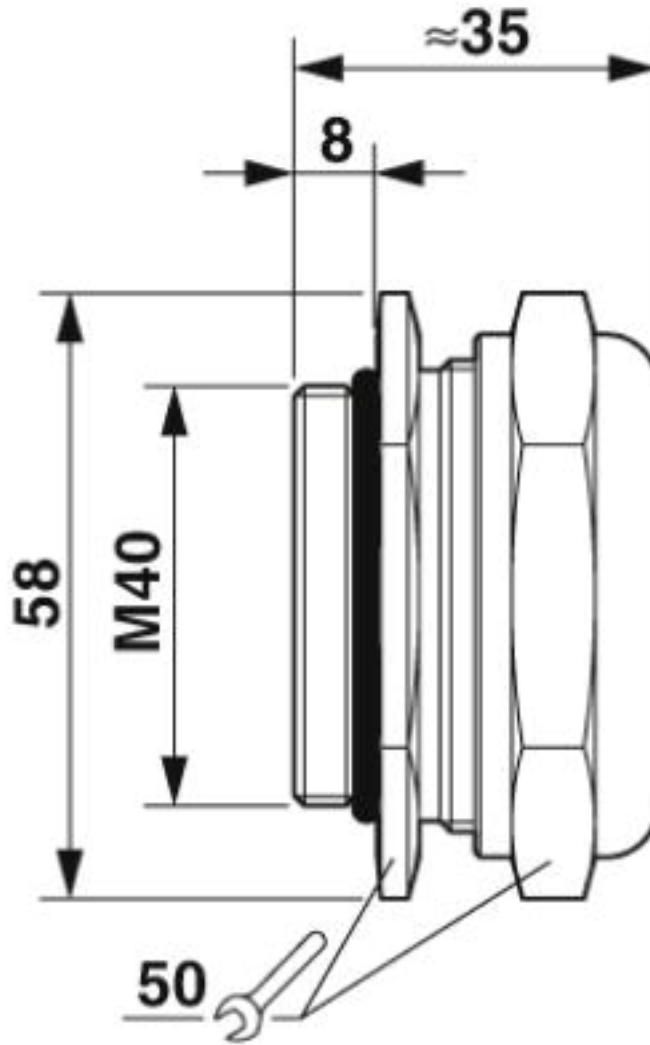
#### Environmental Product Compliance

China RoHS	Environmentally friendly use period: unlimited = EFUP-e
	No hazardous substances above threshold values

### Drawings

# Cable gland - HC-M-KV-M40(27-34) - 1607729

Dimensional drawing



Dimensional drawing

## Classifications

eCl@ss

eCl@ss 4.0	27141200
eCl@ss 4.1	27141200
eCl@ss 5.0	27149100
eCl@ss 5.1	27149100
eCl@ss 6.0	27149100

# Cable gland - HC-M-KV-M40(27-34) - 1607729

## Classifications

### eCl@ss

eCl@ss 7.0	27149109
eCl@ss 8.0	27149109
eCl@ss 9.0	27144432

### ETIM

ETIM 2.0	EC000441
ETIM 3.0	EC000441
ETIM 4.0	EC000441
ETIM 5.0	EC000441
ETIM 6.0	EC000441
ETIM 7.0	EC000441

### UNSPSC

UNSPSC 6.01	31261502
UNSPSC 7.0901	31261502
UNSPSC 11	31261502
UNSPSC 12.01	31261502
UNSPSC 13.2	39121311

## Accessories

### Accessories

#### Flat nut

Counter nut - A-INL-M40-N-S - 1411246



Counter nut, material: Brass, nickel-plated, for threads M40 x 1.5, color: silver

#### Sealing plugs

Closing cap - SEALING PLUG 25X30 RD - 1421863



Closing cap, material: PA, color: red

## Cable gland - HC-M-KV-M40(27-34) - 1607729

### Accessories

---

---

Phoenix Contact 2019 © - all rights reserved  
<http://www.phoenixcontact.com>